



**NOLAN bed** 5NOL102 cm 190x230x133h Fabric: cat. H art. Dedar Belsuede col. 038 **Cushions:** 1 x 9CU107 cm 25x50 Fabric: cat. H art. Dedar Belsuede col. 038 | 1 x 9CU106 cm 45x45 Fabric: cat. H art. Rubelli Spritz col. 11 Ambra | 2 x 9CU106 cm 45x45 Fabric: cat. H art. Designers Guild Glenville F1872 50 Orchid | 1 x 9CU103 cm 40x40 | 1 x 9CU106 cm 45x45 Fabric: cat. H art. Misia La Flèche d'Or M260 7 01 col. 01 Seppia **PARIS stool** 9PAR106 cm 53x40x50h Fabric: Cat. H art. Rubelli Spritz col. 24 Reseda Base: OPR15 moka matt stained oak **ATENE side table** 7AT102 ø cm 50x50h Base: OPM16 shiny brass chrome metal Top: OPP21 Calacatta violet marble **NEST armchair** 9NE101 cm 73x80x90h Fabric: cat. H art. Rubelli Spritz col. 11 Ambra Base: OPM15 antique gold brushed metal



**ATENE side table** 7AT102 ø cm 50x50h Base: OPM16 shiny brass chrome metal Top: OPP21 Calacatta violet marble



**NOLAN bed** 5NOL102 cm 190x230x133h Fabric: cat. H art. Dedar Belsuede col. 038 **Cushions:** 1 x 9CU107 cm 25x50 Fabric: cat. H art. Dedar Belsuede col. 038 | 1 x 9CU106 cm 45x45 Fabric: cat. H art. Rubelli Spritz col. 11 Ambra | 2 x 9CU106 cm 45x45 Fabric: cat. H art. Designers Guild Glenville F1872 50 Orchid | 1 x 9CU103 cm 40x40 | 1 x 9CU106 cm 45x45 Fabric: cat. H art. Misia La Flèche d'Or M260 7 01 col. 01 Seppia **PARIS stool** 9PAR106 cm 53x40x50h Fabric: Cat. H art. Rubelli Spritz col. 24 Reseda Base: OPR15 moka matt stained oak **ATENE side table** 7AT102 ø cm 50x50h Base: OPM16 shiny brass chrome metal Top: OPP21 Calacatta violet marble **NEST armchair** 9NE101 cm 73x80x90h Fabric: cat. H art. Rubelli Spritz col. 11 Ambra Base: OPM15 antique gold brushed metal



**NOLAN bed** 5NOL102 cm 190x230x133h Fabric: cat. H art. Dedar Belsuede col. 038 **Cushions:** 1 x 9CU107 cm 25x50 Fabric: cat. H art. Dedar Belsuede col. 038 | 1 x 9CU106 cm 45x45 Fabric: cat. H art. Rubelli Spritz col. 11 Ambra | 2 x 9CU106 cm 45x45 Fabric: cat. H art. Designers Guild Glenville F1872 50 Orchid | 1 x 9CU103 cm 40x40 | 1 x 9CU106 cm 45x45 Fabric: cat. H art. Misia La Flèche d'Or M260 7 01 col. 01 Seppia **PARIS stool** 9PAR106 cm 53x40x50h | 9PAR105 cm 41x31x50h Fabric: Cat. H art. Rubelli Spritz col. 24 Reseda Base: OPR15 moka matt stained oak **ATENE side table** 7AT102 ø cm 50x50h Base: OPM16 shiny brass chrome metal Top: OPP21 Calacatta violet marble





**NEST armchair** 9NE101 cm 73x80x90h Fabric: cat. H art. Rubelli Spritz col. 11 Ambra Base: OPM15 antique gold brushed metal

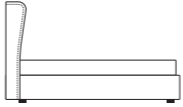
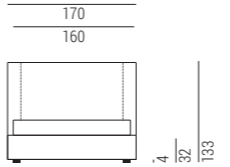

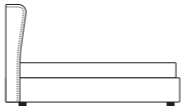
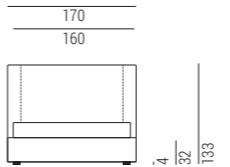

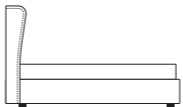
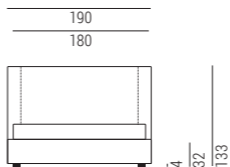


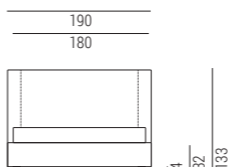

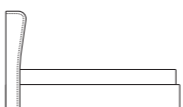
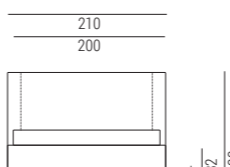


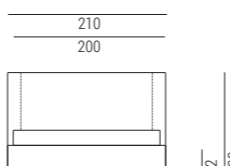

Struttura costituita da pannelli composti da particelle di legno, principalmente pioppo e abete.  
Imbottitura in poliuretano indeformabile rivestito in dacron.  
Rete con struttura in tubo di ferro e doghe in faggio.  
Disponibile in tre diverse larghezze, anche con vano contenitore sotto la rete del letto.  
Rivestimento sfoderabile in tessuto, non sfoderabile in pelle e finta pelle.

*Structure consisting of panels composed of wood particles, mainly poplar and fir. Padding in non-deformable polyurethane covered in dacron. Bed base with structure in iron tube and beech slats. Available in three different widths, also with storage compartment under the bed base. Removable cover in fabric, non-removable in leather and artificial leather.*




*Struktur bestehend aus Platten aus Holzpartikeln, hauptsächlich Pappel und Tanne. Polsterung aus unverformbarem, mit Dacron überzogenem Polyurethan. Lattenrost mit Struktur aus Eisenrohr und Buchenlatten. Erhältlich in drei verschiedenen Breiten, auch mit Bettkasten unter dem Lattenrost. Abnehmbarer Bezug aus Stoff, nicht abziehbar aus Leder und Kunstleder.*

*Structure composée de panneaux composés de particules de bois, principalement de peuplier et de sapin. Rembourrage en polyuréthane indéformable recouvert de dacron. Sommier avec structure en tube de fer et lattes de hêtre. Disponible en trois largeurs différentes, également avec compartiment de rangement sous le sommier. Revêtement déhoussable en tissu, non déhoussable en cuir et simili cuir.*

## Letti Beds

			215	Rete a doghe e materasso Slatted bed base and mattress L160 P200
<b>5NOL101</b> L170 P230 H133				
			215	Rete a doghe e materasso Slatted bed base and mattress L160 P200
<b>5NOL201</b> L170 P230 H133 Con contenitore With storage base				
			215	Rete a doghe e materasso Slatted bed base and mattress L180 P200
<b>5NOL102</b> L190 P230 H133				
			215	Rete a doghe e materasso Slatted bed base and mattress L180 P200
<b>5NOL202</b> L190 P230 H133 Con contenitore With storage base				
			215	Rete a doghe e materasso Slatted bed base and mattress L200 P200
<b>5NOL203</b> L210 P230 H133 Con contenitore With storage base				
			215	Rete a doghe e materasso Slatted bed base and mattress L200 P200
<b>5NOL103</b> L210 P230 H133				

## Cuscini Cushions

	<b>9ROL101</b> ø10 L58 Cuscino a rullo Roller cushion
	<b>9CU103</b> L40 P40 Cuscinetto in piuma senza fascia Feather cushion without band
	<b>9CU106</b> L45 P45 Cuscinetto in piuma senza fascia Feather cushion without band
	<b>9CU107</b> L50 H25 Cuscinetto in piuma senza fascia Feather cushion without band