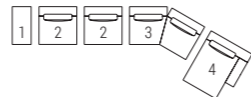


YANN composition cm 423x233
Fabric: cat. F/G art. Casamance Lierna 4976 0327 sable
YANN table
7YA102: OPM20 Délabré brass brushed painted metal

Cushions:
3 x 9CU106 cm 45x45
Fabric: cat. F/G art. Casamance Lierna 4976 0327 sable
2 x 9CU106 cm 45x45
Fabric: cat. F/G art. Misia Aime M188 631 Terre d'ombre
2 x 9CU106 cm 45x45
Fabric: cat. D/E art. Persiano col. 208

KOFI coffee tables:
7K0102 cm 90x90x28h
Base: OPM23 Tobacco painted metal
Top: OPP7 Calacatta marble
7K0101 cm 60x60x48h
Base: OPM20 Délabré brass brushed painted metal
Top: OPP7 Calacatta marble

ONNO server table
7ON103 cm 45x45x45h
Top: OPP7 Calacatta marble
Base: OPR15 moka matt stained oak
+ OPM20 Délabré brass brushed metal

- 1 - 7YA102
 - 2 - 9YA301
 - 3 - 9YA601
 - 4 - 9YA204
- 



- 1 - 7YA102
 - 2 - 9YA301
 - 3 - 9YA601
 - 4 - 9YA204
- 

YANN composition cm 423x233
 Fabric: cat. F/G art. Casamance Lierna 4976 0327 sable
 YANN table 7YA102: OPM20 Délabré brass brushed painted metal

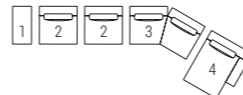
Cushions:
3 x 9CU106 cm 45x45
 Fabric: cat. F/G art. Casamance Lierna 4976 0327 sable
2 x 9CU106 cm 45x45
 Fabric: cat. F/G art. Misia Aime M188 631 Terre d'ombre
2 x 9CU106 cm 45x45
 Fabric: cat. D/E art. Persiano col. 208

SIGN armchairs
9SI112 cm 83x75x75h
 Fabric: Cat. F/G art. Misia Aime M188 631 Terre d'ombre
 Base: OPM15 antique gold brushed metal

WAVE tables
7WA104 ø cm 120x27h
7WA101 ø cm 50x47h
7WA102 ø cm 60x37h
 Top: OPP13 Velvet brown marble
 Base: OPM19 Délabré Pewter brushed metal
7WA106 ø cm 50x47h
7WA107 ø cm 60x37h
 Base and top: OPM19 Délabré Pewter brushed metal

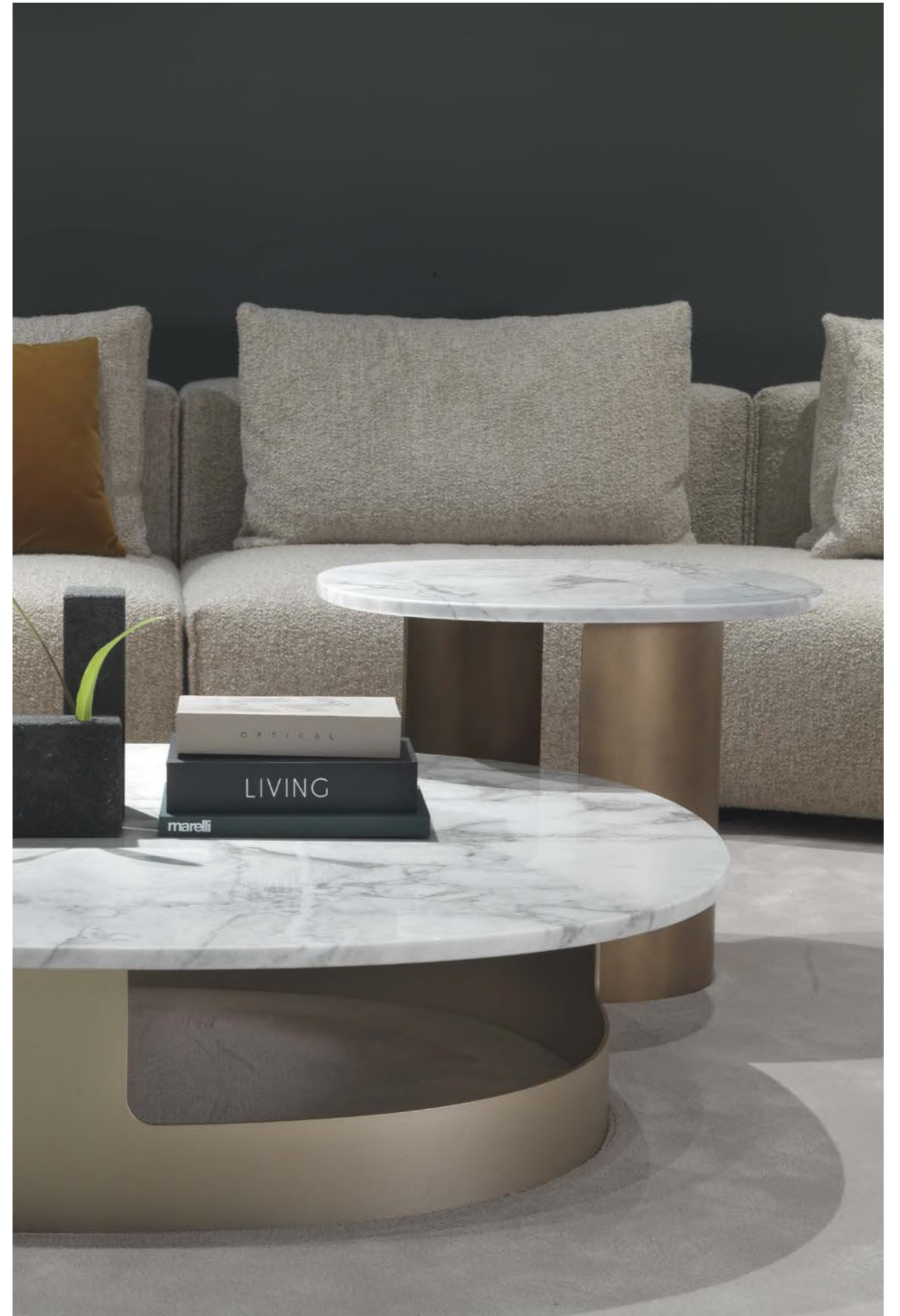


- 1 - 7YA102
- 2 - 9YA301
- 3 - 9YA601
- 4 - 9YA204



Detail of **YANN** sofa with table
in OPM20 Délabré brass brushed metal

KOFI coffee tables:
7K0102 cm 90x90x28h
Base: OPM23 Tobacco painted metal
Top: OPP7 Calacatta marble
7K0101 cm 60x60x48h
Base: OPM20 Délabré brass brushed metal
Top: OPP7 Calacatta marble



SIGN armchairs
9SI112 cm 83x75x75h
Fabric: Cat. F/G art. Misia Aime M188 631 Terre d'ombre
Base: OPM15 antique gold brushed metal

YANN composition cm 423x233
Fabric: cat. F/G art. Casamance Lierna 4976 0327 sable
YANN table
7YA102: OPM20 Délabré brass brushed painted metal

KOFI coffee tables:
7KO102 cm 90x90x28h
7KO101 cm 60x60x48h
Base: OPM23 Tobacco painted metal
Top: OPP7 Calacatta marble

ONNO server table
7ON103 cm 45x45x45h
Top: OPP7 Calacatta marble
Base: OPR15 moka matt stained oak
+ OPM20 Délabré brass brushed metal



46



47



Detail of **YANN** sofa

ONNO server table
70x103 cm 45x45x45h
Top: OPP7 Calacatta marble
Base: OPR15 moka matt stained oak
+ OPM20 Délabré brass brushed metal





Details of **YANN** composition



- 1 - 7YA102
- 2 - 9YA301
- 3 - 9YA601
- 4 - 9YA204

marelli

**NEW
COLLECTION
2023**

SCHEDE TECNICHE
TECHNICAL INFORMATION

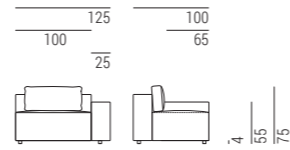
Fusto in legno massello e legno multistrato con cinghie elastiche intrecciate.
Imbottitura in poliuretano espanso con densità 40 Kg/m³ rivestito in dacron.
Seduta e schienale in poliuretano espanso con densità di 30 Kg/m³, rivestito in dacron.
Cuscini di schienale in piuma.
Rivestimento sfoderabile in tessuto, non sfoderabile in pelle e finta pelle.
Kit letto non disponibile.

*Carcasse en bois massif et multiplis muni de bandes élastiques entrecroisées et finie de mousse de polyuréthane d'une densité de 40 kg/m³ couverte de dacron.
Assise et dossier en mousse de polyuréthane d'une densité de 30 kg/m³, couverte de dacron.
Coussins de dossier en plumes.
Revêtement déhoussable en tissu, revêtement fixe en cuir et similcuir.
Pas disponible en canapé-lit.*

*Frame made of solid wood and multi-ply wood with interwoven elastic straps, upholstered with polyurethane foam with density of 40 Kg/m³, covered with dacron.
Seat and back in polyurethane foam with density of 30 Kg/m³, covered with dacron.
Feather back cushions.
Removable fabric covers, fixed leather and artificial leather covers.
Sofa-bed is not available.*

*Каркас из массива дерева и фанеры с переплетенными эластичными ремнями.
Набивка из пенополиуретана плотностью 40 кг/м³, покрытая дакроном.
Сиденье и спинка из пенополиуретана плотностью 30 кг/м³, покрыты дакроном.
Подушки спинки из пера.
Съемный чехол из ткани, несъемный чехол из кожи и искусственной кожи.
Комплект постели не поставляется.*

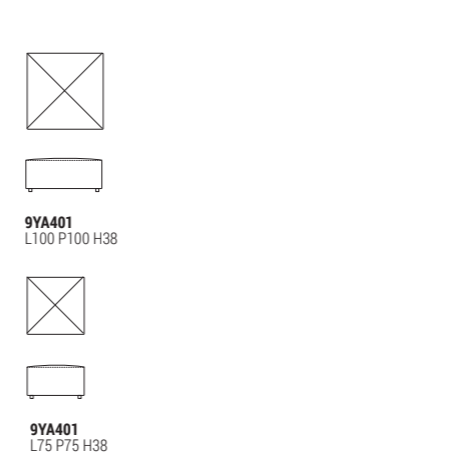
*Das Gestell besteht aus Massiv- und Schichtholz, mit geflochtenen Gummigurten, gepolstert mit Polyurethan-Schaumstoff 40 Kg/m³, mit Dacron ummantelt.
Sitz und Rücken bestehen aus Polyurethan-Schaumstoff 30 Kg/m³, mit Dacron ummantelt.
Rückenkissen in Daune.
Abziehbare Stoffbezüge, feste Leder- und Kunstlederbezüge.
Als Bettsofa nicht verfügbar.*



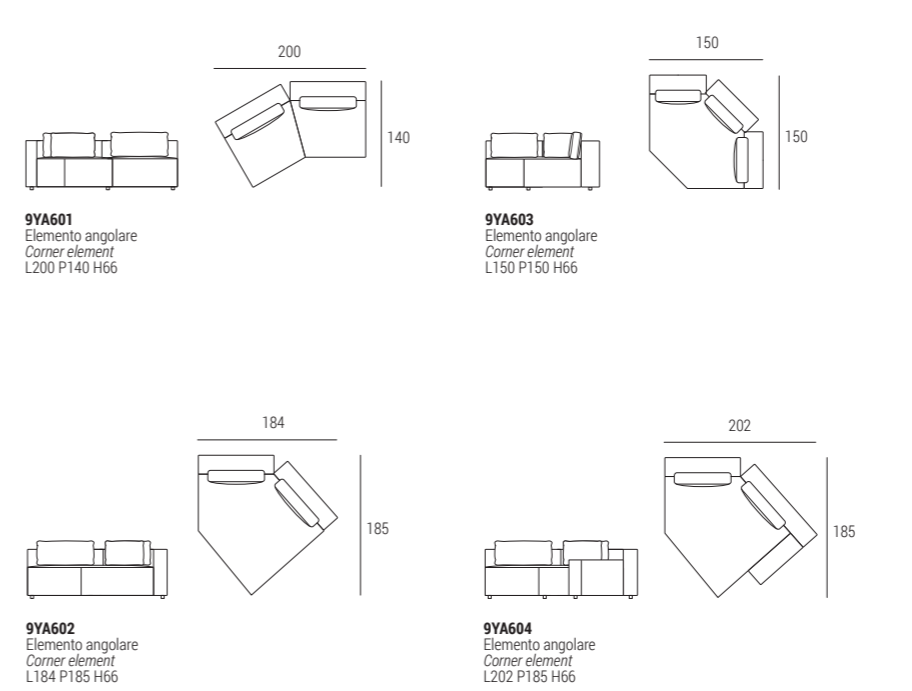
Elementi di seduta
Seat elements



Pouf
Ottomans



Elementi componibili
Modular elements



Tavolini
Tables

