

DESIGN **LUCA ERBA**  
2023

# MiloBed

**ARNOLD** BEDSIDE TABLES **ONNO** TABLE **THEO** SIDEBOARD  
**PIERRE** BEDSIDE TABLES AND SIDEBOARD



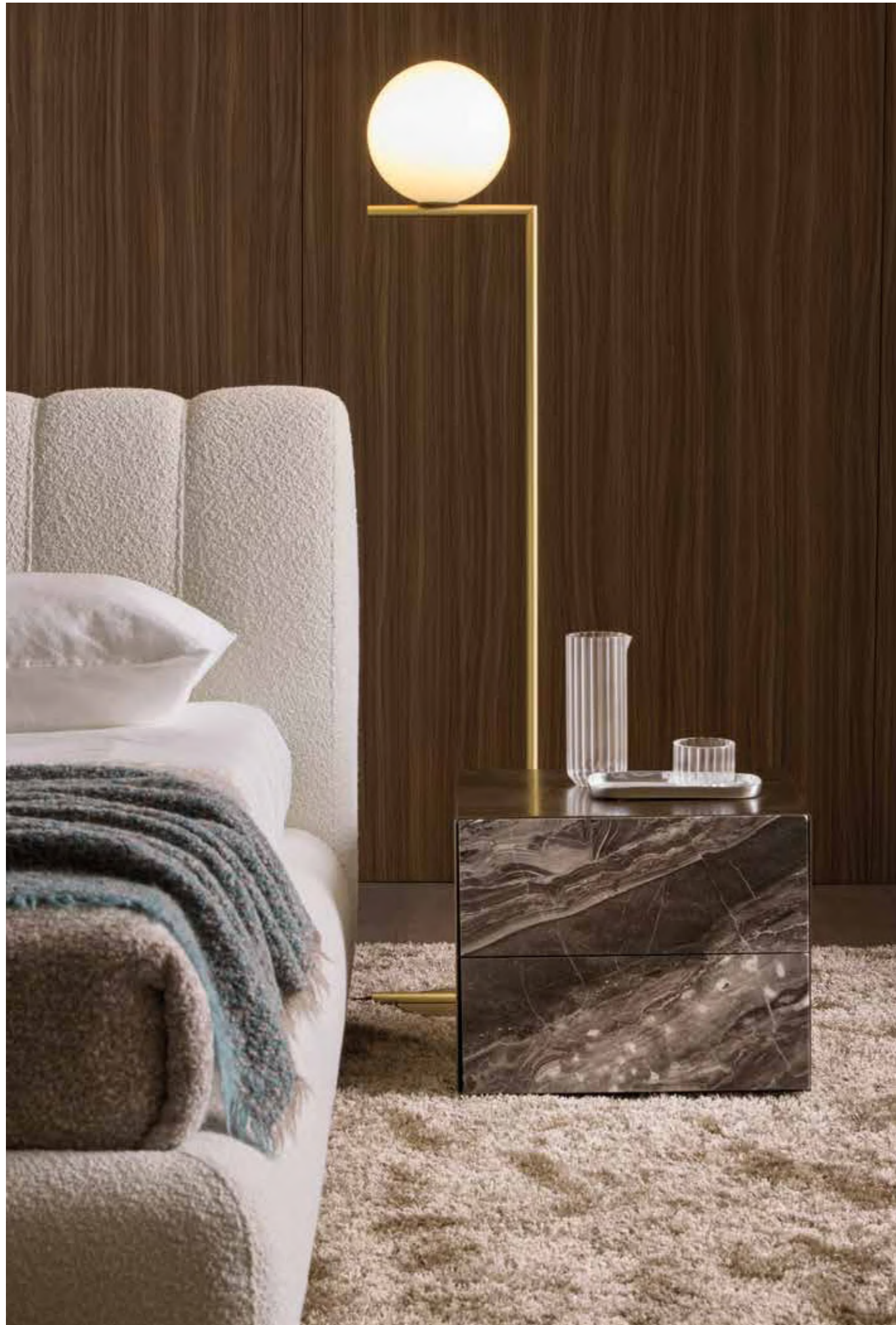
**MILO bed with storage base**  
**5MIL202 cm 180x235x90h**  
Fabric: cat. F/G art. Orsetto 01/1

**ARNOLD bedside table**  
**7ARN101 cm 45x46x38h**  
Structure: OMD18 anodyc bronze painted MDF  
Drawers front: OPP20 Arabescato orobico grey marble

**ONNO table**  
**7ON107 cm 150x60x25h**  
Top: OPP20 Arabescato orobico grey marble  
Base: MDF painted in OPM18 anodyc bronze finishing

**THEO sideboard**  
**7THE106 cm 240x55x70h**  
Structure: OPR15 moka matt stained oak  
Top: OPP20 Arabescato orobico grey marble  
Handles: OPM15 antique gold brushed metal





**MILO bed with storage base**  
**5MIL202 cm 180x235x90h**  
 Fabric: cat. F/G art. Orsetto 01/1

**ARNOLD bedside table**  
**7ARN101 cm 45x46x38h**  
 Structure: MDF painted in OPM18 anodyc bronze finishing  
 Drawers front: OPP20 Arabescato orobico grey marble



**MILO bed with storage base**  
**5MIL202 cm 180x235x90h**  
Fabric: cat. F/G art. Orsetto 01/1

**ARNOLD bedside table**  
**7ARN101 cm 45x46x38h**  
Structure: MDF painted in OPM18 anodized bronze finishing  
Drawers front: OPP20 Arabescato orobico grey marble

**ONNO table**  
**7ON107 cm 150x60x25h**  
Top: OPP20 Arabescato orobico grey marble  
Base: MDF painted in OPM18 anodized bronze finishing





**MILO bed with extended headboard and storage base**  
**5MIL403 cm 360x235x90h**  
Fabric: cat. H art. Rubelli Vello d'oro col. 03

**MILO Bench**  
**5MIL501 cm 164x55x41h**  
Fabric: cat. H art. Rubelli Vello d'oro col. 03

**PIERRE bedside tables**  
**7PIE113 cm 50x50x47h**  
Structure: OMDL5 brown lacquered MDF  
Top: OPP3 Emperador brown marble



**MILO bed with extended headboard and storage base**  
5MIL403 cm 360x235x90h  
Fabric: cat. H art. Rubelli Vello d'oro col. 03

**MILO Bench**  
5MIL501 cm 164x55x41h  
Fabric: cat. H art. Rubelli Vello d'oro col. 03

**PIERRE bedside tables**  
7PIE113 cm 50x50x47h  
Structure: OMDL5 brown lacquered MDF  
Top: OPP3 Emperador brown marble



# Schede tecniche

TECHNICAL INFORMATION

# Milo Bed \_2024\_ DESIGN LUCA ERBA

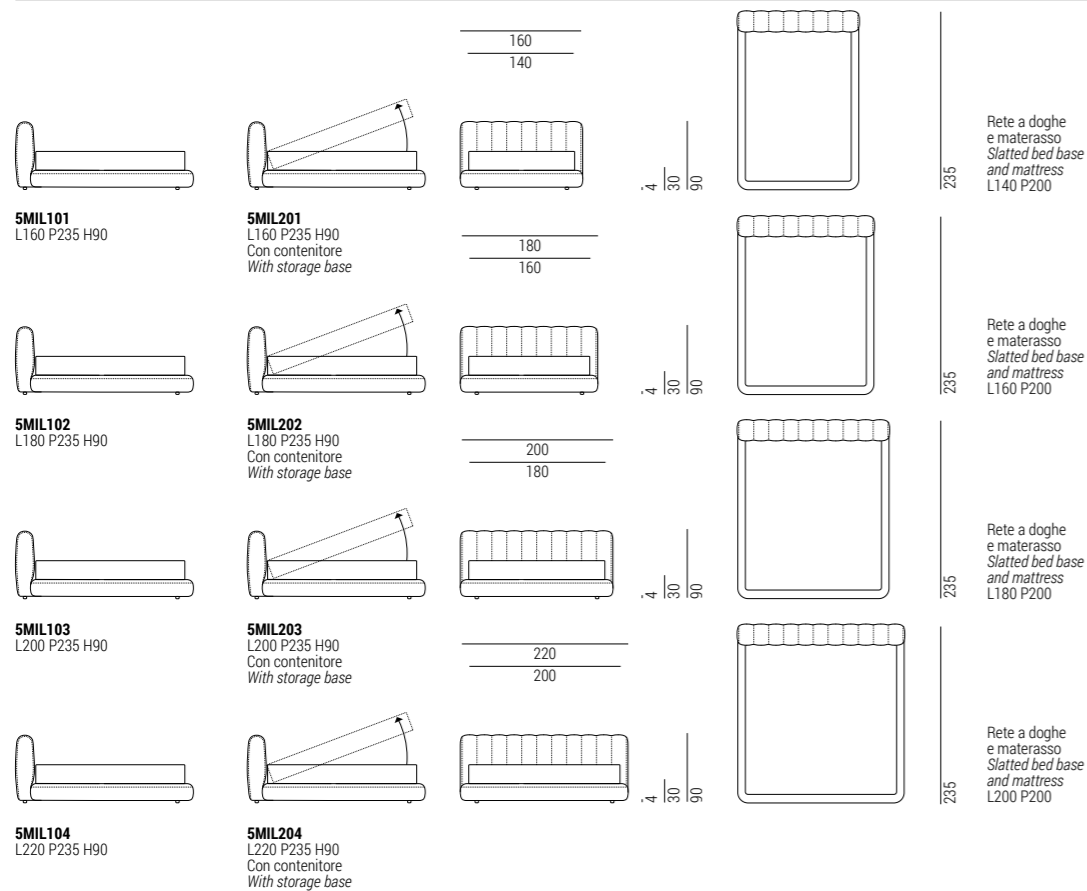
Struttura costituita da pannelli composti da particelle di legno, principalmente pioppo e abete.  
Imbottitura in poliuretano indeformabile rivestito in dacron.  
Rete con struttura in tubo di ferro e doghe in faggio.  
Disponibile in tre diverse larghezze, anche con vano contenitore sotto la rete del letto.  
Rivestimento sfoderabile in tessuto, non sfoderabile in pelle e finta pelle.

Structure consisting of panels composed of wood particles, mainly poplar and fir.  
Padding in non-deformable polyurethane covered in dacron.  
Bed base with structure in iron tube and beech slats.  
Available in three different widths, also with storage compartment under the bed base.  
Removable cover in fabric, non-removable in leather and artificial leather.

Struktur bestehend aus Platten aus Holzpartikeln, hauptsächlich Pappel und Tanne.  
Polsterung aus unverformbarem, mit Dacron überzogenem Polyurethan.  
Lattenrost mit Struktur aus Eisenrohr und Buchenlatten.  
Erhältlich in drei verschiedenen Breiten, auch mit Bettkasten unter dem Lattenrost.  
Abnehmbarer Bezug aus Stoff, nicht abziehbar aus Leder und Kunstleder.

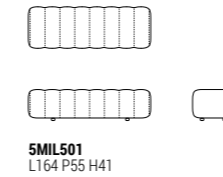
Structure composée de panneaux composés de particules de bois, principalement de peuplier et de sapin.  
Rembourrage en polyuréthane indéformable recouvert de dacron.  
Sommier avec structure en tube de fer et lattes de hêtre.  
Disponible en trois largeurs différentes, également avec compartiment de rangement sous le sommier.  
Revêtement déhoussable en tissu, non déhoussable en cuir et simili cuir.

## Letti Beds



# Milo Bed \_2024\_ DESIGN LUCA ERBA

## Panca Bench



## Letti con schienale ampio Beds with wide backrests

